



3380 Isaacs Avenue, Walla Walla, WA 99362
Phone: 509-529-2286 or 800-237-2286
Fax: 509-529-2291 E-mail: isaacs@isaacstech.com
www.isaacstech.com

INSTALLATION & USER GUIDE SUPPLEMENT FOR MODELS

TD810-TD811

SINGLE-INPUT TRANSMITTER

Description

The battery-powered Isaacs TD810 (Standard Power) or TD811 (Enhanced Power) transmitter monitors a set of dry contacts and transmits the contact state (open or closed) in uniquely coded radio signals to its mated Isaacs receiver(s). The mated receiver(s) detects the signal and uses it to control its relay output(s). In addition to the change-of-state signals, the transmitter sends periodic status signals to allow full supervision of the system.

Specifications TD810 and TD811

Power Requirement: One each, 3 volt lithium battery, type 2/3A (Panasonic CR123A, Duracell 123, or equivalent)
Operation: 902 – 928 MHz frequency-hopping, spread spectrum.
Transmitter input: Dry contacts connect input cable (15 ft. provided). Maximum allowable total cable length: 60 feet (18.4 m).
Effective range (open line-of-sight to receiver): TD810: 2+ miles (3+ km) / TD811: 5+ miles (8+ km)
Physical: Weatherproof, polyurethane coated PVC, 4.8 in. diameter x 10.6 in. height (122mm x 269 mm) with 1" FNPT mount fitting
Weight: 2.2 lb. (1.0 kg)

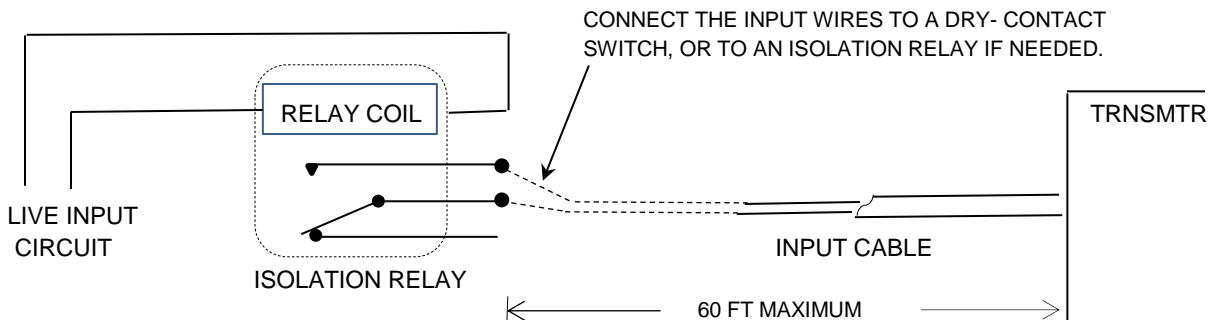
Installation

For site and installation information, refer to the Receiver Installation & Operation Guide for this system.

Connection

The transmitter connections are the red and black wires in the gray-jacketed input cable. These wires provide the transmitter "on-off" input and are for "dry" (not powered) contacts only. **NEVER CONNECT THE WIRES TO ANY POWER, NOT EVEN TO OHMMETER TEST LEADS.** If the only available input connection is an electrically live circuit, connect the transmitter wires through an isolation relay. (See diagram below).

The standard 15 foot input cable may be extended as necessary to a maximum total length of 60 feet. Due to the sensitive nature of the input circuit, extending beyond 60 feet will result in an unresponsive transmitter. If it is necessary to extend beyond 60 feet, add a powered isolation relay circuit as shown. Use care in wire splicing, as poorly made splices are a common source of operational problems.



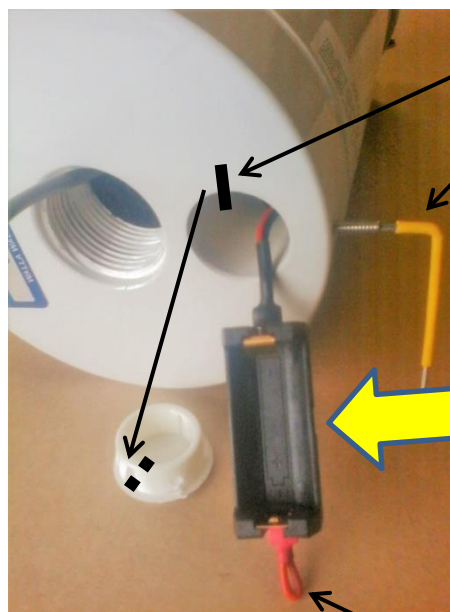
Operation and Maintenance

When the transmitter is properly installed and connected, and the companion receiver(s) powered, the wireless control system operation is automatic and continuous.

The only maintenance required is periodic transmitter battery replacement. Battery life will vary depending on the amount of transmitter input activity, but normal battery life is 3-5 years (TD810) or 1-2 years (TD811). A new battery carries 3.2 volts. Replace any battery that measures less than 2.8 volts during transmission (contacts opening or closing).

Battery replacement

Isaacs transmitters require one (1) each of a type CR123 non-rechargeable lithium battery. Isaacs recommends only the Panasonic CR123A and Duracell 123.



To replace the battery, make an alignment mark on the battery cap and transmitter base, to assure proper re-installation alignment, turn the screw out with a 1/16" Allen wrench, (about 12 turns) until the plastic cap can be easily removed (not pried or pulled). Then pull down gently on the battery holder assembly. Remove the battery by lifting up at the battery positive

CAUTION !
VERIFY BATTERY POLARITY
REVERSED POLARITY MAY DAMAGE
TRANSMITTER CIRCUITRY
NOTE THAT THE POSITIVE END HAS
A RAISED CONTACT. THIS END GOES
TOWARD THE RED WIRE LOOP.

Place the negative end in first then press on the positive end until the battery "clicks" in place. Slide the battery holder assembly carefully back into the tube and replace the cap and screw.

RED WIRE LOOP

Limited Warranty and Disclaimer

Isaacs & Associates, Inc. (Isaacs) warrants goods of its manufacture to be free of defective materials and faulty workmanship when used under normal and proper use and service. Commencing upon the date of shipment, the Isaacs warranty is valid for 12 months. To obtain warranty service, obtain an RGA number from Isaacs and send the product to Isaacs freight prepaid. Isaacs will repair or replace, at its discretion, those items deemed warrantable. This Limited Warranty does not apply in cases of improper installation or operation, misuse, alteration, abuse, accidental damage, tampering, repair by anyone other than Isaacs & Associates, Inc., or damage by, but not limited to, low voltage, voltage surges, or lightning. This Limited Warranty applies to Isaacs manufactured goods only. All other products, accessories or attachments used in conjunction with Isaacs manufactured goods, including batteries, will be covered solely by their own warranty, if any. Isaacs will not be liable for any direct, incidental, consequential, or accidental damage or loss whatsoever, caused by the malfunction of its manufactured goods due to products, accessories, or attachments of other manufacturers, including batteries, used in conjunction with Isaacs goods. Isaacs & Associates, Inc. will not be liable for any direct, incidental, consequential, or accidental damages resulting from use of Isaacs products or caused by any defects, failure or malfunction, whether a claim for damages is based on warranty, product design, system engineering, contract negligence or otherwise. It is the sole responsibility of the purchaser to consider and analyze the product and its design for fitness for a particular purpose. Isaacs & Associates, Inc. does hereby disclaim any liability for damages due to failure of the goods or system to perform as anticipated. Isaacs & Associates, Inc. does not authorize any person to act on its behalf to modify, vary or extend this warranty.

THE FORGOING IS THE BUYERS SOLE REMEDY AND IS EXCLUSIVE AND EXPRESSLY IN LIEU OF ALL OTHER WARRANTIES, OBLIGATIONS OR LIABILITIES, WHETHER WRITTEN, ORAL, EXPRESS, OR IMPLIED, INCLUDING WARRANTIES OF MERCHANTABILITY AND FITNESS FOR PARTICULAR PURPOSE.

Warranties for Products Manufactured by Others: Materials, products and systems manufactured by others and sold by Isaacs carry those manufacturer warranties only. Isaacs and Associates, Inc. hereby disclaims any warranties or liabilities for said materials, products or systems.

Specifications and Technical Assistance: While we provide application assistance, personally and through our literature, it is the customer's responsibility to determine suitability of the product to the application and correctness of the assistance. Specifications may change at any time and without notice. The information supplied is believed to be accurate and reliable. We assume no responsibility for its use.